

JACLO®

jaclo.com

Table of Contents for your reference of new products. Insert pages are numbered to insert in your JACLO catalog

NEW PRODUCT CATALOG PAGES

SUMMER 2017

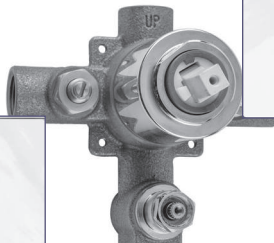


Table of Contents

Summer 2017

Catalog Page Title	Page Number(s) in JACLO Catalog
Uptown/Downtown Contempo and Single Hole Faucets.....	24A-24C
Pressure Balance Valve With Built In Diverter.....	90A
Extension Kits For Pressure Balance Cycling Valve.....	92A
Brass Trim for Thermostatic Valve.....	95-97
Brass Volume Control & Diverter Trim.....	98A
Brass Trim For Thermostatic Valve With Built In 2-Way & 3-Way Diverter/Volume Control.....	100C-100D
Brass Trim For Tub & Shower Valve.....	103-104
Brass Trim For Pressure Balance Cycling Valve (J-CSV).....	105A-105B
Brass Trim For Pressure Balance Valve (J-PBV).....	106A-106B
Brass Trim For Diverter Tub & Shower Valve (J-DIV-PBV).....	107-108
Brass Shower Curtain Rod Flanges.....	142A
Toilet Tank Trip Levers.....	208A-208B
Push-Fit Quarter Turn Valves.....	254A-254B
PVC Tub Drain Half Kits With Brass Trims.....	271-272
Shower Channel Drains.....	302A
Replacement Parts.....	331-332
PCW Flow Washer.....	333



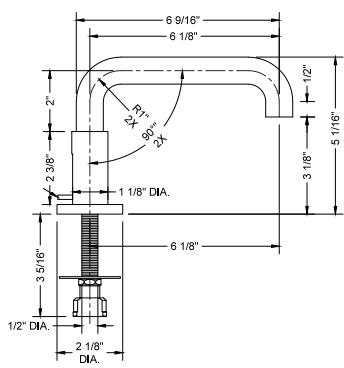
DOWNTOWN CONTEMPO FAUCETS



DOWNTOWN CONTEMPO WITH ROUND ESCUTCHEON



Shown: 8882-L



Handle Options



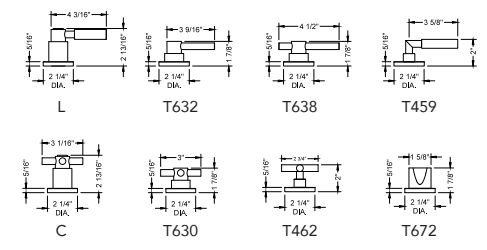
ITEM	POP-UP DRAIN	CHROME	GROUP A	GROUP B	GROUP C
8882-L-	Standard	\$525.00	\$565.00	\$645.00	\$750.00
8882-T632-	Standard	\$525.00	\$565.00	\$645.00	\$750.00
8882-T638-	Standard	\$525.00	\$565.00	\$645.00	\$750.00
8882-T459-	Standard	\$525.00	\$565.00	\$645.00	\$750.00
8882-C-	Standard	\$525.00	\$565.00	\$645.00	\$750.00
8882-T630-	Standard	\$525.00	\$565.00	\$645.00	\$750.00
8882-T462-	Standard	\$525.00	\$565.00	\$645.00	\$750.00
8882-T672-	Standard	\$525.00	\$565.00	\$645.00	\$750.00

- All brass 8"-12" widespread faucet includes brass pop-up drain
- ¼ turn ceramic valves
- Swivel spout
- Available flow rates: 0.5 - 1.5 GPM. Standard flow rate is 1.5 GPM

ITEM	POP-UP DRAIN	CHROME	GROUP A	GROUP B	GROUP C
8882-*****-836-Fully Polished & Plated		\$575.00	\$665.00	\$745.00	\$900.00

To order faucet with a fully polished & plated pop-up drain add -836 after part number

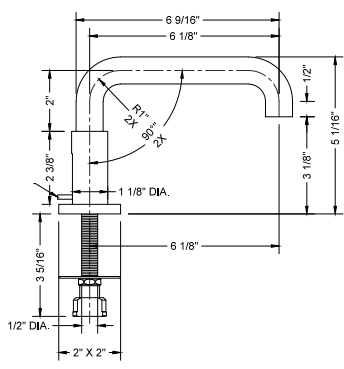
EXAMPLE:
8882-L-836-PCH



DOWNTOWN CONTEMPO WITH SQUARE ESCUTCHEON



Shown: 8883-TSQ462



Handle Options



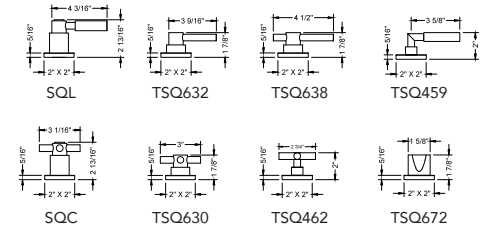
ITEM	POP-UP DRAIN	CHROME	GROUP A	GROUP B	GROUP C
8883-SQL-	Standard	\$525.00	\$565.00	\$645.00	\$750.00
8883-TSQ632-	Standard	\$525.00	\$565.00	\$645.00	\$750.00
8883-TSQ638-	Standard	\$525.00	\$565.00	\$645.00	\$750.00
8883-TSQ459-	Standard	\$525.00	\$565.00	\$645.00	\$750.00
8883-SQC-	Standard	\$525.00	\$565.00	\$645.00	\$750.00
8883-TSQ630-	Standard	\$525.00	\$565.00	\$645.00	\$750.00
8883-TSQ462-	Standard	\$525.00	\$565.00	\$645.00	\$750.00
8883-TSQ672-	Standard	\$525.00	\$565.00	\$645.00	\$750.00

- All brass 8"-12" widespread faucet includes brass pop-up drain
- ¼ turn ceramic valves
- Swivel spout
- Available flow rates: 0.5 - 1.5 GPM. Standard flow rate is 1.5 GPM

ITEM	POP-UP DRAIN	CHROME	GROUP A	GROUP B	GROUP C
8883-*****-836-Fully Polished & Plated		\$575.00	\$665.00	\$745.00	\$900.00

To order faucet with a fully polished & plated pop-up drain add -836 after part number

EXAMPLE:
8883-TSQ462-836-PCH



UPTOWN CONTEMPO FAUCETS

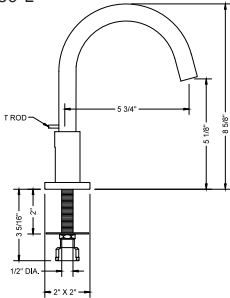


JACLO
Confidence from start to finish.™

UPTOWN CONTEMPO WITH ROUND ESCUTCHEON



Shown: 8880-L



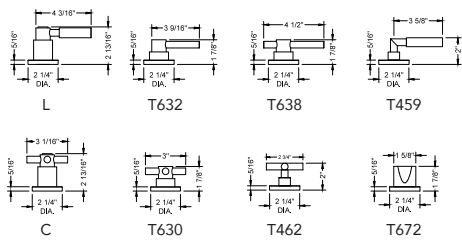
ITEM	POP-UP DRAIN	CHROME	GROUP A	GROUP B	GROUP C
8880-L-	Standard	\$525.00	\$565.00	\$645.00	\$750.00
8880-T632-	Standard	\$525.00	\$565.00	\$645.00	\$750.00
8880-T638-	Standard	\$525.00	\$565.00	\$645.00	\$750.00
8880-T459-	Standard	\$525.00	\$565.00	\$645.00	\$750.00
8880-C-	Standard	\$525.00	\$565.00	\$645.00	\$750.00
8880-T630-	Standard	\$525.00	\$565.00	\$645.00	\$750.00
8880-T462-	Standard	\$525.00	\$565.00	\$645.00	\$750.00
8880-T672-	Standard	\$525.00	\$565.00	\$645.00	\$750.00

- All brass 8" -12" widespread faucet includes brass pop-up drain
- ¼ turn ceramic valves
- Swivel spout
- Available flow rates: 0.5 - 1.5 GPM. Standard flow rate is 1.5 GPM

ITEM	POP-UP DRAIN	CHROME	GROUP A	GROUP B	GROUP C
8880-*****-836-	Fully Polished & Plated	\$575.00	\$665.00	\$745.00	\$900.00

TO ORDER FAUCET WITH A FULLY POLISHED & PLATED POP-UP DRAIN ADD -836 AFTER PART NUMBER

EXAMPLE:
8880-L-836-PCH



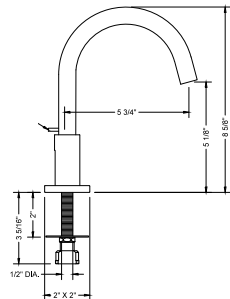
Handle Options



UPTOWN CONTEMPO WITH SQUARE ESCUTCHEON



Shown: 8881-TSQ459



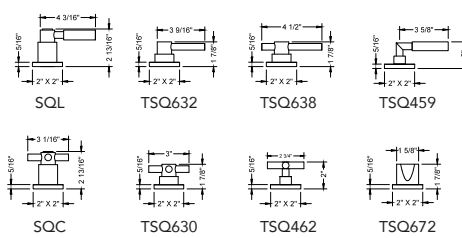
ITEM	POP-UP DRAIN	CHROME	GROUP A	GROUP B	GROUP C
8881-SQL-	Standard	\$525.00	\$565.00	\$645.00	\$750.00
8881-TSQ632-	Standard	\$525.00	\$565.00	\$645.00	\$750.00
8881-TSQ638-	Standard	\$525.00	\$565.00	\$645.00	\$750.00
8881-TSQ459-	Standard	\$525.00	\$565.00	\$645.00	\$750.00
8881-SQC-	Standard	\$525.00	\$565.00	\$645.00	\$750.00
8881-TSQ630-	Standard	\$525.00	\$565.00	\$645.00	\$750.00
8881-TSQ462-	Standard	\$525.00	\$565.00	\$645.00	\$750.00
8881-TSQ672-	Standard	\$525.00	\$565.00	\$645.00	\$750.00

- All brass 8" -12" widespread faucet includes brass pop-up drain
- ¼ turn ceramic valves
- Swivel spout
- Available flow rates: 0.5 - 1.5 GPM. Standard flow rate is 1.5 GPM

ITEM	POP-UP DRAIN	CHROME	GROUP A	GROUP B	GROUP C
8881-*****-836-	Fully Polished & Plated	\$575.00	\$665.00	\$745.00	\$900.00

TO ORDER FAUCET WITH A FULLY POLISHED & PLATED POP-UP DRAIN ADD -836 AFTER PART NUMBER

EXAMPLE:
8881-TSQ459-836-PCH



Handle Options





SINGLE HOLE FAUCET

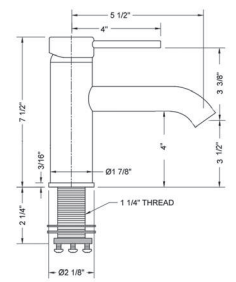


CONTEMPO SINGLE HOLE



ITEM	POP-UP DRAIN	CHROME	GROUP A	GROUP B	GROUP C
8877-	Less Drain	\$195.00	\$265.00	\$385.00	\$495.00
8877-736-	Standard Drain	\$260.00	\$350.00	\$480.00	\$625.00
8877-836-	Fully Polished & Plated Drain	\$310.00	\$415.00	\$550.00	\$685.00

- Single lever, ADA compliant
- All brass body, ceramic cartridge
- Stainless steel flex supplies included with 3/8" O.D. female ends
- Stationary spout with pop-up rod
- Available flow rates: 0.5 - 1.5 GPM. Standard flow rate is 1.5 GPM
- **Optional cover plate, shown below**
- **Not available in ULB**

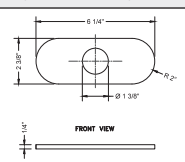


COVER PLATE FOR CONTEMPO SINGLE HOLE FAUCETS



ITEM	SPECIFICS	CHROME	GROUP A	GROUP B	GROUP C
8877-PLATE-	Brass	\$25.00	\$45.00	\$65.00	\$85.00

- All brass
- Covers existing 4" centerset holes
- Must order separately
- **Not available in: ULB**

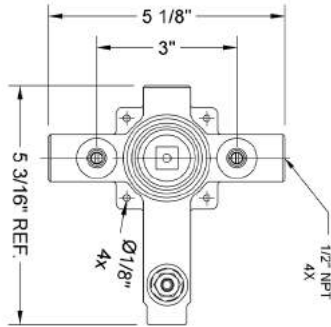
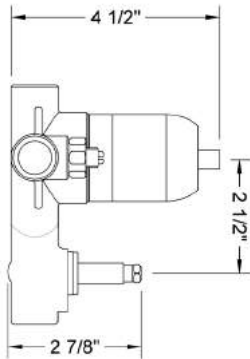
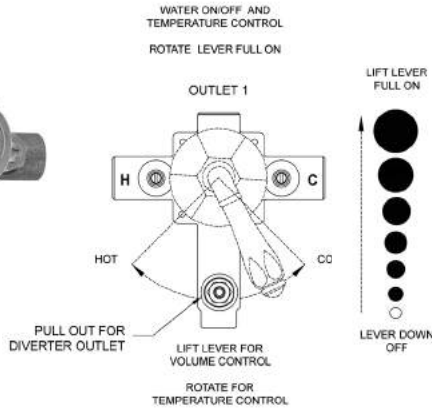


TUB & SHOWER VALVES



PRESSURE BALANCE VALVE WITH BUILT IN DIVERTER

NEW
rough



ITEM	SPECIFICS	ROUGH
J-DIV-PBV	Pressure Balance Valve w/ Built in Diverter	\$255.00

- Pressure balance valve mixes hot & cold water with built in anti-scald protection
- Up down lever action controls volume
- Rotational lever action controls water temperature
- Built in diverter for multiple devices shower/handshower or shower/tub
- Ceramic cartridge
- 1/2" NPT ports
- 5.2 GPM flow @ 60 PSI
- Controls volume and temperature

**WORKS WELL WITH
LOW WATER PRESSURE**

SHOWER TRIM, TUB VALVES
+ SPOUTS

EXTENSION KITS FOR PRESSURE BALANCE CYCLING VALVE WITH DIVERTER



SHOWER TRIM, TUB VALVES + SPOUTS

ALL BRASS EXTENSION KIT FOR PRESSURE BALANCE CYCLING VALVE



ITEM	CHROME	GROUP A	GROUP B	GROUP C
J-DIV-CSV-EXT-C-	\$121.00	\$185.00	\$240.00	\$285.00

- Extension kit for J-DIV-CSV
- Allows for deep wall installation
- Extends valve 1"
- Contemporary style

ALL BRASS EXTENSION KIT FOR PRESSURE BALANCE CYCLING VALVE



ITEM	CHROME	GROUP A	GROUP B	GROUP C
J-DIV-CSV-EXT-T-	\$121.00	\$185.00	\$240.00	\$285.00

- Extension kit for J-DIV-CSV
- Allows for deep wall installation
- Extends valve 1"
- Traditional style

BRASS TRIM FOR THERMOSTATIC VALVES TO MATCH FAUCET COLLECTIONS + VOLUME CONTROL TRIM



SHOWER TRIM, TUB VALVES
+ SPOUTS



T778-TRIM



T774-TRIM



T792-TRIM



T786-TRIM



T785-TRIM



T737-TRIM

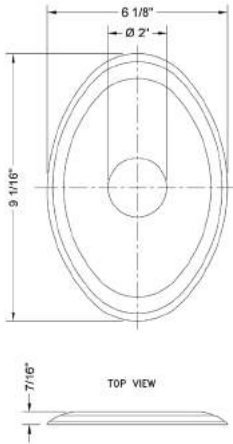


T739-TRIM



T736-TRIM

TRIM ONLY



ITEM	COLLECTION	CHROME	GROUP A	GROUP B	GROUP C
T778-TRIM-	Roaring 20's/Westfield/Cranford/Jaylen/Astor	\$230.00	\$270.00	\$295.00	\$375.00
T774-TRIM-	Roaring 20's/Westfield/Astor	\$230.00	\$270.00	\$295.00	\$375.00
T792-TRIM-	Roaring 20's	\$230.00	\$270.00	\$295.00	\$375.00
T786-TRIM-	Roaring 20's/Westfield/Astor	\$230.00	\$270.00	\$295.00	\$375.00
T785-TRIM-	Roaring 20's/Westfield/Astor	\$230.00	\$270.00	\$295.00	\$375.00
T737-TRIM-	Roaring 20's/Cranford/Jaylen	\$230.00	\$270.00	\$295.00	\$375.00
T739-TRIM-	Roaring 20's/Cranford	\$230.00	\$270.00	\$295.00	\$375.00
T736-TRIM-	Cranford/Jaylen	\$230.00	\$270.00	\$295.00	\$375.00

- All brass trim
- Trim contains temperature indicator in Fahrenheit so user can set water to desired temperature with no need to adjust further
- **Requires rough valve J-TH34 or J-TH12**
- Lever trim is ADA compliant

T778 & T792 INCLUDES BOTH:



T786 INCLUDES BOTH:



ALL plates can also be mounted horizontally

THERMOSTATIC VALVES



ITEM	SPECIFICS	ROUGH
J-TH34	3/4" Thermostatic valve 15 GPM @ 60 PSI	\$345.00
J-TH12	1/2" Thermostatic valve 10 GPM @ 60 PSI	\$275.00

- For more information see J-TH34 or J-TH12
- For extension kits/replacement cartridge, see J-TH34-EXT

BRASS TRIM FOR THERMOSTATIC VALVES

TO MATCH FAUCET COLLECTIONS + VOLUME CONTROL TRIM



SHOWER TRIM, TUB VALVES + SPOUTS



T878-TRIM



T874-TRIM



T886-TRIM



T885-TRIM



HEX plate can also be mounted as shown



T478-TRIM



T474-TRIM



T488-TRIM



T484-TRIM



T570-TRIM



T573-TRIM



T432-TRIM



T476-TRIM

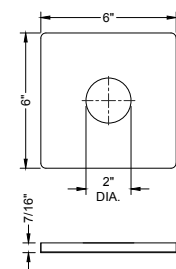
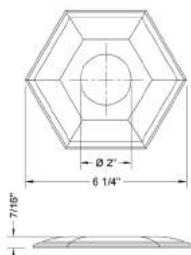


T759-TRIM



T762-TRIM

TRIM ONLY



ITEM	COLLECTION	CHROME	GROUP A	GROUP B	GROUP C
T878-TRIM-	Roaring 20's/Westfield/Cranford/Jaylen/Astor	\$230.00	\$270.00	\$295.00	\$375.00
T874-TRIM-	Roaring 20's/Westfield/Astor	\$230.00	\$270.00	\$295.00	\$375.00
T886-TRIM-	Roaring 20's/Westfield/Astor	\$230.00	\$270.00	\$295.00	\$375.00
T885-TRIM-	Roaring 20's/Westfield/Astor	\$230.00	\$270.00	\$295.00	\$375.00
T478-TRIM-	Roaring 20's/Westfield/Cranford/Jaylen/Astor	\$230.00	\$270.00	\$295.00	\$375.00
T474-TRIM-	Roaring 20's/Westfield/Astor	\$230.00	\$270.00	\$295.00	\$375.00
T488-TRIM-	Roaring 20's/Westfield/Astor	\$230.00	\$270.00	\$295.00	\$375.00
T484-TRIM-	Roaring 20's/Westfield/Astor	\$230.00	\$270.00	\$295.00	\$375.00
T570-TRIM-	Cubix®	\$275.00	\$325.00	\$375.00	\$425.00
T573-TRIM-	Cubix®	\$275.00	\$325.00	\$375.00	\$425.00
T432-TRIM-	Uptown/Downtown Contempo	\$230.00	\$270.00	\$295.00	\$375.00
T476-TRIM-	Roaring 20's/Westfield/Astor	\$230.00	\$270.00	\$295.00	\$375.00
T759-TRIM-	Uptown/Downtown Contempo	\$230.00	\$270.00	\$295.00	\$375.00
T762-TRIM-	Uptown/Downtown Contempo	\$230.00	\$270.00	\$295.00	\$375.00

- All brass trim
- Trim contains temperature indicator in Fahrenheit so user can set water to desired temperature with no need to adjust further
- Requires rough valve J-TH34 or J-TH12
- Lever trim is ADA compliant

T878 & T478 INCLUDES BOTH:

T886 & T488 INCLUDES BOTH:

THERMOSTATIC VALVES



ITEM	SPECIFICS	ROUGH
J-TH34	¾" Thermostatic valve 15 GPM @ 60 PSI	\$345.00
J-TH12	½" Thermostatic valve 10 GPM @ 60 PSI	\$275.00

- For more information see J-TH34 or J-TH12
- For extension kits/replacement cartridge, see J-TH34-EXT

BRASS TRIM FOR THERMOSTATIC VALVES TO MATCH FAUCET COLLECTIONS + VOLUME CONTROL TRIM



SHOWER TRIM, TUB VALVES
+ SPOUTS



T178-TRIM



T174-TRIM



T188-TRIM



T184-TRIM



T530-TRIM



T532-TRIM



T538-TRIM



T572-TRIM



T173-TRIM

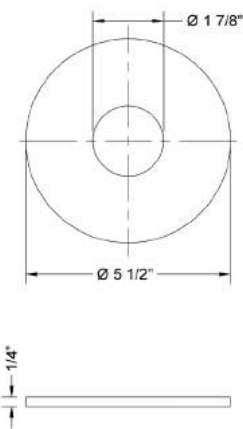


T559-TRIM



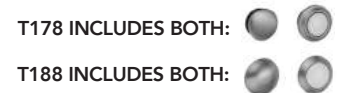
T562-TRIM

TRIM ONLY



ITEM	COLLECTION	CHROME	GROUP A	GROUP B	GROUP C
T178-TRIM-	Roaring 20's/Westfield/Cranford/Jaylen/Astor	\$230.00	\$270.00	\$295.00	\$375.00
T174-TRIM-	Roaring 20's/Westfield/Astor	\$230.00	\$270.00	\$295.00	\$375.00
T188-TRIM-	Roaring 20's/Westfield/Astor	\$230.00	\$270.00	\$295.00	\$375.00
T184-TRIM-	Roaring 20's/Westfield/Astor	\$230.00	\$270.00	\$295.00	\$375.00
T530-TRIM-	Uptown/Downton Contempo	\$230.00	\$270.00	\$295.00	\$375.00
T532-TRIM-	Uptown/Downton Contempo	\$230.00	\$270.00	\$295.00	\$375.00
T538-TRIM-	Uptown/Downton Contempo	\$230.00	\$270.00	\$295.00	\$375.00
T572-TRIM-	Uptown/Downton Contempo	\$230.00	\$270.00	\$295.00	\$375.00
T173-TRIM-	Cubix®	\$275.00	\$325.00	\$375.00	\$425.00
T559-TRIM-	Uptown/Downton Contempo	\$230.00	\$270.00	\$295.00	\$375.00
T562-TRIM-	Uptown/Downton Contempo	\$230.00	\$270.00	\$295.00	\$375.00

- All brass trim
- Trim contains temperature indicator in Fahrenheit so user can set water to desired temperature with no need to adjust further
- Requires rough valve J-TH34 or J-TH12
- Lever trim is ADA compliant



THERMOSTATIC VALVES



ITEM	SPECIFICS	ROUGH
J-TH34	3/4" Thermostatic valve 15 GPM @ 60 PSI	\$345.00
J-TH12	1/2" Thermostatic valve 10 GPM @ 60 PSI	\$275.00

- For more information see J-TH34 or J-TH12
- For extension kits/replacement cartridge, see J-TH34-EXT

BRASS VOLUME CONTROL & DIVERTER TRIM

TO MATCH FAUCET COLLECTIONS (INDICATED BELOW) +
THERMOSTATIC VALVE TRIM (LEVER HANDLES ARE )



SHOWER TRIM, TUB VALVES
+ SPOUTS



T678-TRIM



T674-TRIM



T692-TRIM



T676-TRIM



T679-TRIM



T675-TRIM



T667-TRIM



T677-TRIM



T646-TRIM



T647-TRIM



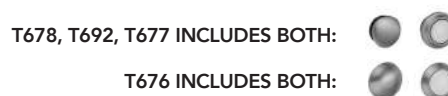
T639-TRIM



T636-TRIM

ITEM	COLLECTION	CHROME	GROUP A	GROUP B	GROUP C
T678-TRIM-	Roaring 20's/Westfield	\$125.00	\$145.00	\$170.00	\$225.00
T674-TRIM-	Roaring 20's/Westfield	\$125.00	\$145.00	\$170.00	\$225.00
T692-TRIM-	Roaring 20's	\$125.00	\$145.00	\$170.00	\$225.00
T676-TRIM-	Roaring 20's/Westfield	\$125.00	\$145.00	\$170.00	\$225.00
T679-TRIM-	Roaring 20's	\$125.00	\$145.00	\$170.00	\$225.00
T675-TRIM-	Roaring 20's/Westfield	\$125.00	\$145.00	\$170.00	\$225.00
T667-TRIM-	Roaring 20's	\$125.00	\$145.00	\$170.00	\$225.00
T677-TRIM-	Cranford	\$125.00	\$145.00	\$170.00	\$225.00
T646-TRIM-	Cranford	\$125.00	\$145.00	\$170.00	\$225.00
T647-TRIM-	Cranford	\$125.00	\$145.00	\$170.00	\$225.00
T639-TRIM-	Cranford	\$125.00	\$145.00	\$170.00	\$225.00
T636-TRIM-	Jaylen	\$125.00	\$145.00	\$170.00	\$225.00

- All brass trims for 1/2" & 3/4" volume controls & diverters
- When used with Valve J-20686 or J-20688: Turning the handle turns the water on and off, controls the volume of the water, and diverts the water
- When used with Valve J-20682: Turning the handle controls the volume of the water and diverts the water
- When used with Valve J-VC12 or J-VC34: Turning the handle controls the volume of the water
- Lever trim is ADA compliant
- Turns water on & off and controls volume of water



ROUGH VALVES



J-VC34/J-VC12
Exacto™ Volume Controls



J-20682 (shared function)
3 Way Diverter (no shut off)



J-20686: 2 Way Diverter w/ shut off
J-20688: 3 Way Diverter w/ shut off

ITEM	SPECIFICS	ROUGH
J-VC34	3/4" Volume control 22 GPM @ 60 PSI	\$110.00
J-VC12	1/2" Volume control 13 GPM @ 60 PSI	\$85.00
J-20682	1/2" 3 Way diverter (shared function)	\$195.00
J-20686	1/2" 2 Way diverter with shut off	\$215.00
J-20688	1/2" 3 Way diverter with shut off	\$215.00

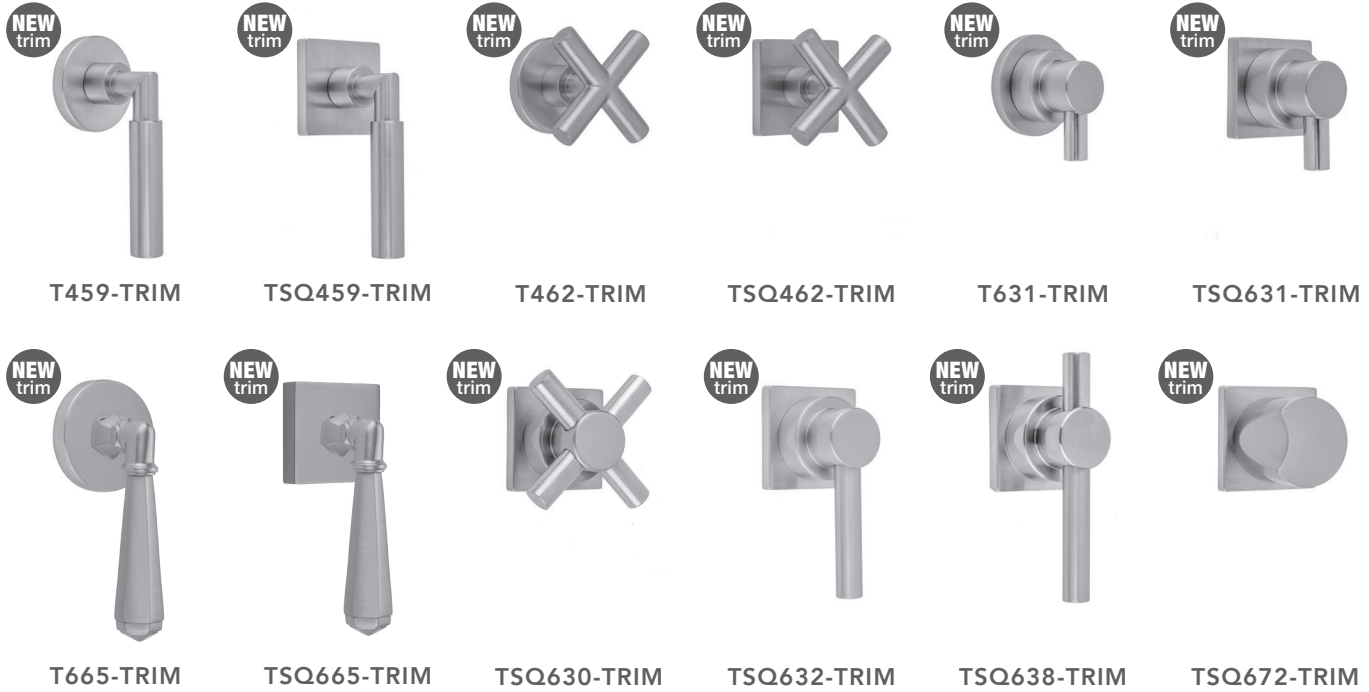
- For more information, see J-VC34, J-VC12, J-20682, J-20686, J-20688
- For replacement cartridges, see 22404-CART-RGH, 15128-CART-RGH, 15129-CART-RGH

BRASS VOLUME CONTROL & DIVERTER TRIM

TO MATCH FAUCET COLLECTIONS (INDICATED BELOW) +
THERMOSTATIC VALVE TRIM (LEVER HANDLES ARE )



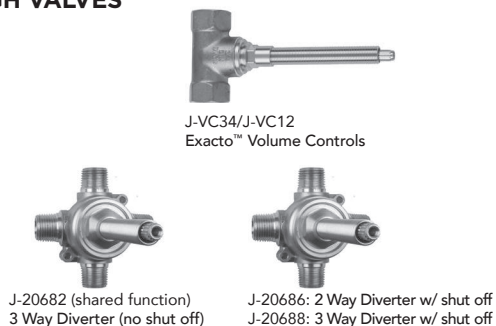
SHOWER TRIM, TUB VALVES
+ SPOUTS



ITEM	COLLECTION	CHROME	GROUP A	GROUP B	GROUP C
T459-TRIM-	Uptown/Downtown Contempo	\$125.00	\$145.00	\$170.00	\$225.00
TSQ459-TRIM-	Uptown/Downtown Contempo	\$125.00	\$145.00	\$170.00	\$225.00
T462-TRIM-	Uptown/Downtown Contempo	\$125.00	\$145.00	\$170.00	\$225.00
TSQ462-TRIM-	Uptown/Downtown Contempo	\$125.00	\$145.00	\$170.00	\$225.00
T631-TRIM-	Uptown/Downtown Contempo	\$125.00	\$145.00	\$170.00	\$225.00
TSQ631-TRIM-	Uptown/Downtown Contempo	\$125.00	\$145.00	\$170.00	\$225.00
T665-TRIM-	Roaring 20's/Westfield/Astor	\$125.00	\$145.00	\$170.00	\$225.00
TSQ665-TRIM-	Roaring 20's/Westfield/Astor	\$125.00	\$145.00	\$170.00	\$225.00
TSQ630-TRIM-	Uptown/Downtown Contempo	\$125.00	\$145.00	\$170.00	\$225.00
TSQ632-TRIM-	Uptown/Downtown Contempo	\$125.00	\$145.00	\$170.00	\$225.00
TSQ638-TRIM-	Uptown/Downtown Contempo	\$125.00	\$145.00	\$170.00	\$225.00
TSQ672-TRIM-	Uptown/Downtown Contempo	\$125.00	\$145.00	\$170.00	\$225.00

- All brass trims for 1/2" & 3/4" volume controls & diverters
- When used with Valve J-20686 or J-20688: Turning the handle turns the water on and off, controls the volume of the water, and diverts the water
- When used with Valve J-20682: Turning the handle controls the volume of the water and diverts the water
- When used with Valve J-VC12 or J-VC34: Turning the handle controls the volume of the water
- Lever trim is ADA compliant
- Turns water on & off and controls volume of water

ROUGH VALVES



ITEM	SPECIFICS	ROUGH
J-VC34	3/4" Volume control 22 GPM @ 60 PSI	\$110.00
J-VC12	1/2" Volume control 13 GPM @ 60 PSI	\$85.00
J-20682	1/2" 3 Way diverter (shared function)	\$195.00
J-20686	1/2" 2 Way diverter with shut off	\$215.00
J-20688	1/2" 3 Way diverter with shut off	\$215.00

- For more information, see J-VC34, J-VC12, J-20682, J-20686, J-20688
- For replacement cartridges, see 22404-CART-RGH, 15128-CART-RGH, 15129-CART-RGH

BRASS TRIM FOR THERMOSTATIC VALVE WITH BUILT IN 2 WAY & 3 WAY DIVERTER/VOLUME CONTROL

MUST USE WITH J-TH34-686 OR J-TH34-688 ROUGH VALVE



SHOWER TRIM, TUB VALVES + SPOUTS



T7537-TRIM



T7572-TRIM



T7532-TRIM



T7530-TRIM



T7538-TRIM



T7539-TRIM



T7533-TRIM



T7534-TRIM

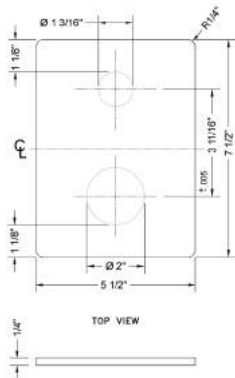


T7535-TRIM



T7536-TRIM

TRIM ONLY



ITEM	COLLECTION	CHROME	GROUP A	GROUP B	GROUP C
T7537-TRIM-	Uptown/Downton Contempo	\$270.00	\$345.00	\$425.00	\$495.00
T7572-TRIM-	Uptown/Downton Contempo	\$270.00	\$345.00	\$425.00	\$495.00
T7532-TRIM-	Uptown/Downton Contempo	\$270.00	\$345.00	\$425.00	\$495.00
T7530-TRIM-	Uptown/Downton Contempo	\$270.00	\$345.00	\$425.00	\$495.00
T7538-TRIM-	Uptown/Downton Contempo	\$270.00	\$345.00	\$425.00	\$495.00
T7539-TRIM-	Uptown/Downton Contempo	\$270.00	\$345.00	\$425.00	\$495.00
T7533-TRIM-	Uptown/Downton Contempo	\$270.00	\$345.00	\$425.00	\$495.00
T7534-TRIM-	Uptown/Downton Contempo	\$270.00	\$345.00	\$425.00	\$495.00
T7535-TRIM-	Uptown/Downton Contempo	\$270.00	\$345.00	\$425.00	\$495.00
T7536-TRIM-	Uptown/Downton Contempo	\$270.00	\$345.00	\$425.00	\$495.00

- All brass construction
- Bottom Trim handle contains temperature indicator in Fahrenheit so user can set water to desired temperature with no need to adjust further
- Top Trim handle turns the water on and off, controls the volume of the water, and diverts the water
- **Requires rough valve J-TH34-686 or J-TH34-688**
- Lever trim is ADA compliant

THERMOSTATIC VALVE WITH BUILT IN 2 WAY/ 3 WAY DIVERTER/VOLUME CONTROL WITH SHUT OFF



J-TH34-686



J-TH34-688

ITEM	SPECIFICS	ROUGH
J-TH34-686-	Therm. valve with 2 function diverter w/ shut off	\$425.00
J-TH34-688-	Therm. valve with 3 function diverter w/ shut off	\$475.00

- For more information, see J-TH34-686, J-TH34-688
- For extension kits/replacement cartridge, see J-TH34-EXT

CALGreen Compliant

BRASS TRIM FOR THERMOSTATIC VALVE WITH BUILT IN 2 WAY & 3 WAY DIVERTER/VOLUME CONTROL

MUST USE WITH J-TH34-686 OR J-TH34-688 ROUGH VALVE



JACLO
Confidence from start to finish.™

SHOWER TRIM, TUB VALVES + SPOUTS



T8574-TRIM



T8757-TRIM



T8586-TRIM



T8585-TRIM

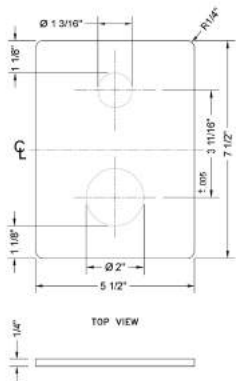


T7502-TRIM



T7503-TRIM

TRIM ONLY



ITEM	COLLECTION	CHROME	GROUP A	GROUP B	GROUP C
T8574-TRIM-	Roaring 20's/Westfield/Astor	\$270.00	\$345.00	\$425.00	\$495.00
T8757-TRIM-	Roaring 20's/Westfield/Cranford/Jaylen/Astor	\$270.00	\$345.00	\$425.00	\$495.00
T8586-TRIM-	Roaring 20's/Westfield/Astor	\$270.00	\$345.00	\$425.00	\$495.00
T8585-TRIM-	Roaring 20's/Westfield/Astor	\$270.00	\$345.00	\$425.00	\$495.00
T7502-TRIM-	Cubix®	\$375.00	\$495.00	\$565.00	\$675.00
T7503-TRIM-	Cubix®	\$375.00	\$495.00	\$565.00	\$675.00

- All brass construction
- Bottom Trim handle contains temperature indicator in Fahrenheit so user can set water to desired temperature with no need to adjust further
- Top Trim handle turns the water on and off, controls the volume of the water, and diverts the water
- Requires rough valve J-TH34-686 or J-TH34-688
- Lever trim is ADA compliant

T8574, T8757 INCLUDES BOTH:

T8586, T8585 INCLUDES BOTH:

THERMOSTATIC VALVE WITH BUILT IN 2 WAY/ 3 WAY DIVERTER/VOLUME CONTROL WITH SHUT OFF



J-TH34-686



J-TH34-688

ITEM	SPECIFICS	ROUGH
J-TH34-686-	Therm. valve with 2 function diverter w/ shut off	\$425.00
J-TH34-688-	Therm. valve with 3 function diverter w/ shut off	\$475.00

- For more information, see J-TH34-686, J-TH34-688
- For extension kits/replacement cartridge, see J-TH34-EXT

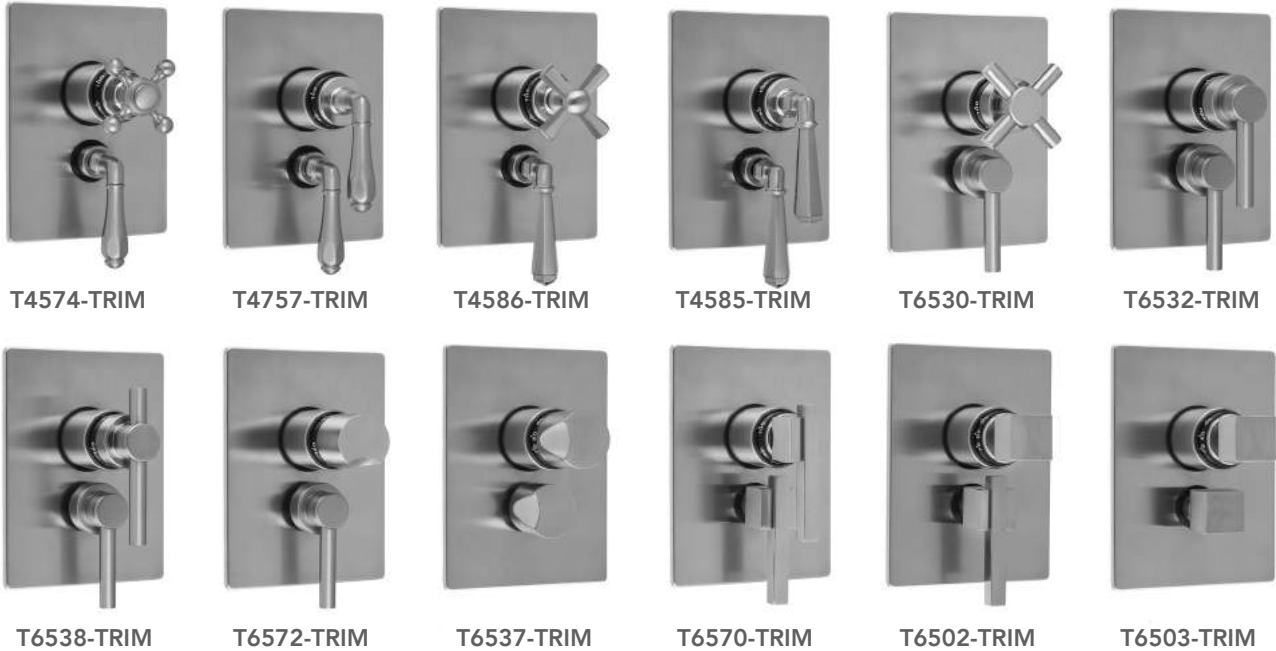
CALGreen Compliant

BRASS TRIM FOR THERMOSTATIC TUB & SHOWER VALVES

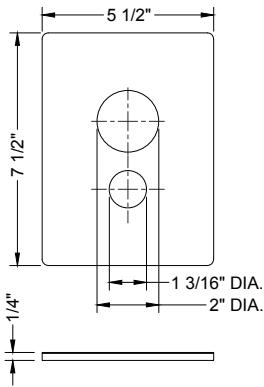
MUST USE WITH J-THVC12 ROUGH VALVE, SEE BELOW



SHOWER TRIM, TUB VALVES + SPOUTS

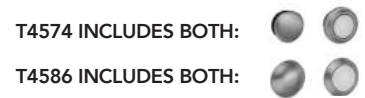


TRIM ONLY



ITEM	COLLECTION	CHROME	GROUP A	GROUP B	GROUP C
T4574-TRIM-	Roaring 20's/Westfield/Astor	\$270.00	\$345.00	\$425.00	\$495.00
T4757-TRIM-	Roaring 20's/Westfield/Astor	\$270.00	\$345.00	\$425.00	\$495.00
T4586-TRIM-	Roaring 20's/Westfield/Astor	\$270.00	\$345.00	\$425.00	\$495.00
T4585-TRIM-	Roaring 20's/Westfield/Astor	\$270.00	\$345.00	\$425.00	\$495.00
T6530-TRIM-	Uptown/Downton Contempo	\$270.00	\$345.00	\$425.00	\$495.00
T6532-TRIM-	Uptown/Downton Contempo	\$270.00	\$345.00	\$425.00	\$495.00
T6538-TRIM-	Uptown/Downton Contempo	\$270.00	\$345.00	\$425.00	\$495.00
T6572-TRIM-	Uptown/Downton Contempo	\$270.00	\$345.00	\$425.00	\$495.00
T6537-TRIM-	Uptown/Downton Contempo	\$270.00	\$345.00	\$425.00	\$495.00
T6570-TRIM-	Cubix®	\$375.00	\$495.00	\$565.00	\$675.00
T6502-TRIM-	Cubix®	\$375.00	\$495.00	\$565.00	\$675.00
T6503-TRIM-	Cubix®	\$375.00	\$495.00	\$565.00	\$675.00

- All brass construction
- Top Trim handle contains temperature indicator in Fahrenheit so user can set water to desired temperature with no need to adjust further
- Bottom Trim handle turns the water on and off and controls the volume of the water
- Requires rough valve J-THVC12
- Lever trim is ADA compliant



THERMOSTATIC VALVE WITH INTEGRAL VOLUME CONTROL



ITEM	SPECIFICS	ROUGH
J-THVC12	1/2" Thermostatic w/ volume control	12 GPM @ 60 PSI \$295.00

- For more information, see J-THVC12
- For extension kits/replacement cartridge, see J-THVC12-EXT
- Ideal for tub & shower with twin ell (provided) & diverter tub spout (sold separately)

BRASS TRIMS FOR TUB & SHOWER VALVES

MUST USE WITH J-DIV-CSV ROUGH VALVE, SEE BELOW



SHOWER TRIM, TUB VALVES
+ SPOUTS



A378-TRIM
Generic (All)



A379-TRIM
R20/Cranford



A372-TRIM
R20



A374-TRIM
R20/Westfield/Astor



A377-TRIM
R20/Cranford/Jaylen



A385-TRIM
R20/Westfield/Astor



A376-TRIM
Cranford/Jaylen



A348-TRIM
Generic (All)



A349-TRIM
R20/Westfield/Astor



A365-TRIM
R20/Westfield/Astor



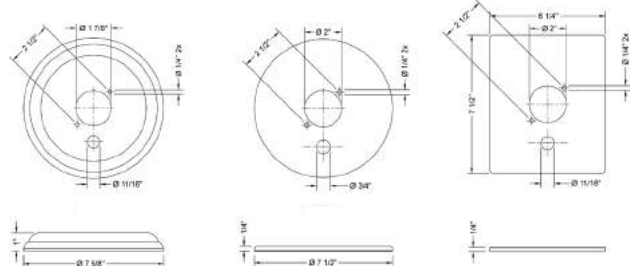
A375-TRIM
R20/Westfield/Astor



A345-TRIM
R20/Westfield/Astor



A346-TRIM
Uptown/Downtown Contempo



PRICING FOR ALL TRIM ON THIS PAGE

ITEM	CHROME	GROUP A	GROUP B	GROUP C
TRIM ONLY	\$270.00	\$345.00	\$425.00	\$495.00

- All brass construction
- Rotating the handle counter clockwise turns on the water & controls the water temperature
- Built in diverter for diverting between multiple devices (for example, diverting between a showerhead and a handshower)
- **Requires rough valve J-DIV-CSV**
- Lever trim is ADA compliant

CYCLING VALVE WITH DIVERTER



ITEM	SPECIFICS	ROUGH
J-DIV-CSV	Pressure Balance Cycling Valve w/ Built in Diverter	\$255.00

• For more information, see J-DIV-CSV

BRASS TRIM FOR CYCLING VALVE

MUST USE WITH J-CSV ROUGH VALVE, SEE BELOW



A468-TRIM
Generic (All)



A469-TRIM
R20/Cranford



A462-TRIM
R20



A464-TRIM
R20/Westfield/Astor



A467-TRIM
R20/Cranford/Jaylen



A485-TRIM
R20/Westfield/Astor



A466-TRIM
Cranford/Jaylen



A498-TRIM
Generic (All)



A499-TRIM
R20/Cranford



A492-TRIM
R20



A494-TRIM
R20/Westfield/Astor



A497-TRIM
R20/Cranford/Jaylen



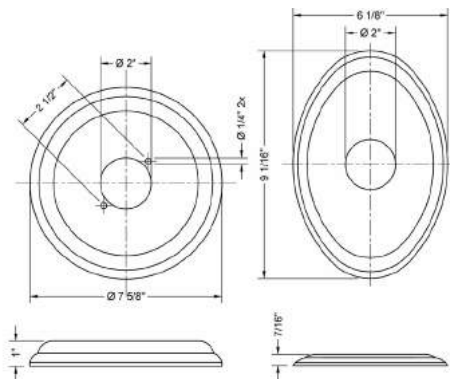
A495-TRIM
R20/Westfield/Astor



A496-TRIM
Cranford/Jaylen



ALL plates can also be mounted horizontally



PRICING FOR ALL TRIM ON THIS PAGE

ITEM	CHROME	GROUP A	GROUP B	GROUP C
TRIM ONLY	\$225.00	\$275.00	\$325.00	\$375.00

- All brass construction
- Rotating the handle counter clockwise turns on the water & controls the water temperature
- **Requires rough valve J-CSV**
- Lever trim is ADA compliant

CYCLING VALVE



ITEM	SPECIFICS	ROUGH
J-CSV	Pressure Balance Cycling Valve	\$195.00

- For more information, see J-CSV
- For replacement cartridge, see J-CSV-CART

BRASS TRIM FOR CYCLING VALVE

MUST USE WITH J-CSV ROUGH VALVE, SEE BELOW



SHOWER TRIM, TUB VALVES
+ SPOUTS



A426-TRIM
Uptown/Downtown Contempo



A448-TRIM
Generic (All)



A449-TRIM
R20/Westfield/Astor



A425-TRIM
R20/Westfield/Astor



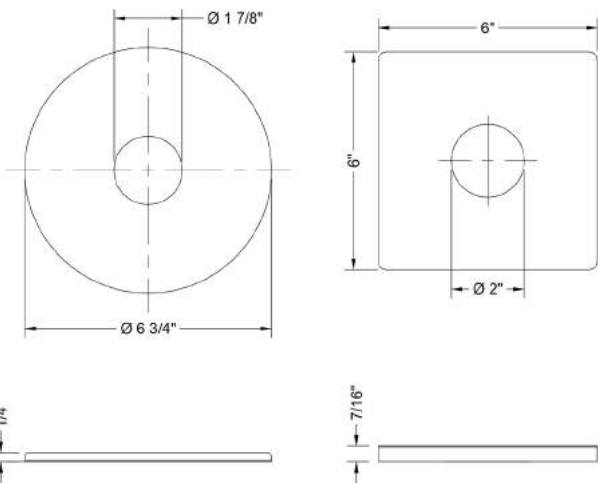
A446-TRIM
Uptown/Downtown Contempo



A445-TRIM
R20/Westfield/Astor



A447-TRIM
R20/Westfield/Astor



PRICING FOR ALL TRIM ON THIS PAGE

ITEM	CHROME	GROUP A	GROUP B	GROUP C
TRIM ONLY	\$225.00	\$275.00	\$325.00	\$375.00

- All brass construction
- Rotating the handle counter clockwise turns on the water & controls the water temperature
- **Requires rough valve J-CSV**
- Lever trim is ADA compliant

CYCLING VALVE



ITEM	SPECIFICS	ROUGH
J-CSV	Pressure Balance Cycling Valve	\$195.00

- For more information, see J-CSV
- For replacement cartridge, see J-CSV-CART

BRASS TRIM FOR PRESSURE BALANCE VALVE WITH BUILT IN VOLUME & TEMPERATURE CONTROL

MUST USE WITH J-PBV ROUGH VALVE, SEE BELOW



SHOWER TRIM, TUB VALVES + SPOUTS



A268-TRIM
Generic (All Traditional)



A266-TRIM
Generic (All Traditional)



A236-TRIM
Cranford/Jaylen



A234-TRIM
R20/Westfield/Astor



A285-TRIM
R20/Westfield/Astor



A298-TRIM
Generic (All Traditional)



A296-TRIM
Generic (All Traditional)



A286-TRIM
Cranford/Jaylen



A294-TRIM
R20/Westfield/Astor



A295-TRIM
R20/Westfield/Astor

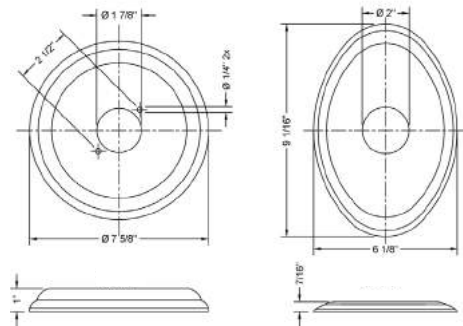


ALL plates can also be mounted horizontally

PRICING FOR ALL TRIM ON THIS PAGE

ITEM	CHROME	GROUP A	GROUP B	GROUP C
TRIM ONLY	\$225.00	\$275.00	\$325.00	\$375.00

- All brass construction
- Moving lever up and down controls the volume of water and turns water on and off
- Rotating the handle left and right controls the water temperature
- **Requires rough valve J-PBV**
- Lever trim is ADA compliant



PRESSURE BALANCING VALVE



ITEM	SPECIFICS	ROUGH
J-PBV	Pressure Balance Valve	\$195.00

- For more information, see J-PBV
- For replacement cartridge, see J-PBV-CART

BRASS TRIM FOR PRESSURE BALANCE VALVE

MUST USE WITH J-PBV ROUGH VALVE, SEE BELOW



SHOWER TRIM, TUB VALVES
+ SPOUTS



A229-TRIM
R20/Westfield/Astor



A224-TRIM
Uptown/Downtown Contempo



A226-TRIM
Uptown/Downtown Contempo



A227-TRIM
Uptown/Downtown Contempo



A225-TRIM
R20/Westfield/Astor



A228-TRIM
Cubix®



A256-TRIM
Generic



A235-TRIM
Cubix®



A255-TRIM
R20/Westfield/Astor

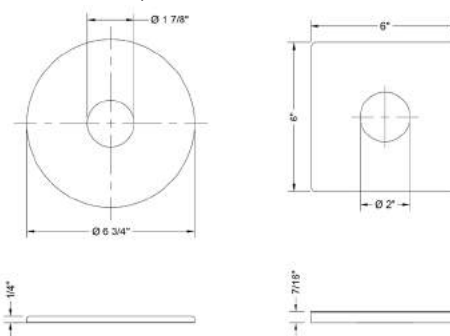


A368-TRIM
Uptown/Downtown Contempo

PRICING FOR ALL TRIM ON THIS PAGE

ITEM	CHROME	GROUP A	GROUP B	GROUP C
TRIM ONLY	\$225.00	\$275.00	\$325.00	\$375.00

- All brass construction
- Moving lever up and down controls the volume of water and turns water on and off
- Rotating the handle left and right controls the water temperature
- **Requires rough valve J-PBV**
- Lever trim is ADA compliant



PRESSURE BALANCING VALVE



ITEM	SPECIFICS	ROUGH
J-PBV	Pressure Balance Valve	\$195.00

- For more information, see J-PBV
- For replacement cartridge, see J-PBV-CART

BRASS TRIM FOR DIVERTER PBV TUB & SHOWER VALVE

CONTROLS TEMPERATURE & VOLUME

MUST USE WITH J-DIV-PBV ROUGH VALVE, SEE BELOW



SHOWER TRIM, TUB VALVES
+ SPOUTS



A278-TRIM
Generic (All Traditional)



A276-TRIM
Generic (All Traditional)



A336-TRIM
Cranford/Jaylen



A334-TRIM
R20/Westfield/Astor



A335-TRIM
R20/Westfield/Astor



A325-TRIM
R20/Westfield/Astor



A326-TRIM
Contempo



A327-TRIM
Contempo



A366-TRIM
Contempo



A526-TRIM
Contempo



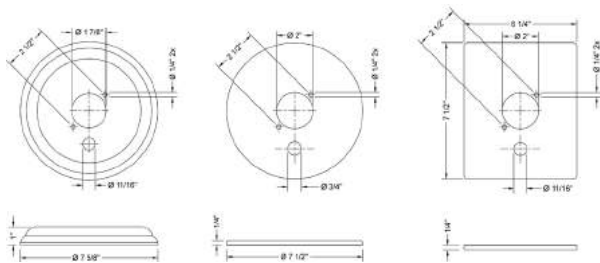
A527-TRIM
Contempo



A566-TRIM
Contempo



A523-TRIM
R20/Westfield/Astor



PRICING FOR ALL TRIM ON THIS PAGE

ITEM	CHROME	GROUP A	GROUP B	GROUP C
TRIM ONLY	\$270.00	\$345.00	\$425.00	\$495.00

- All brass construction
- Moving lever up and down controls the volume of water and turns water on and off
- Rotating the handle left and right controls the water temperature
- Built in diverter for diverting between multiple devices (for example, diverting between a showerhead and a handshower)
- **Requires rough valve J-DIV-PBV**
- Lever trim is ADA compliant

PRESSURE BALANCE VALVE WITH DIVERTER



ITEM	SPECIFICS	ROUGH
J-DIV-PBV	Pressure Balance Valve w/ Built in Diverter	\$255.00

- For more information, see J-DIV-PBV

Don't Forget JACLO also has:



PAGE 4-5 FINISHES + POLICIES

PAGE 6-21 TABLE OF CONTENTS

TAB ① FAUCET COLLECTIONS, ROMAN TUBS + ACCESSORIES

TAB ② SHOWER TRIM, TUB + SHOWER VALVES + SPOUTS

TAB ③ SHOWERHEADS, ARMS + ESCUTCHEONS

TAB ④ HANDSHOWERS, HOSES, BIDET + HANDSHOWER ACCESSORIES

TAB ⑤ GRAB BARS/DOOR PULLS + GRAB BARS FOR HANDSHOWERS

TAB ⑥ DECORATIVE SPECIALTIES (Supply Valves, P Traps, Tub + Shower Drains)

TAB ⑦ CHANNEL DRAINS

TAB ⑧ SPA COLLECTION (Water Features)

TAB ⑨ REPLACEMENT PARTS

TAB ⑩ GENERAL INFORMATION

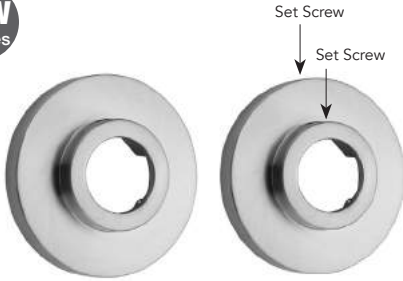
TAB ⑪ PRICING INDEX + GLOSSARY

TAB ⑫ STEAM VALVE ORIGINAL (Luxury Stainless Steel Kitchen Faucets)

BRASS SHOWER CURTAIN ROD FLANGES

PAIR OF BRASS ROUND SHOWER CURTAIN ROD FLANGES

NEW
flanges

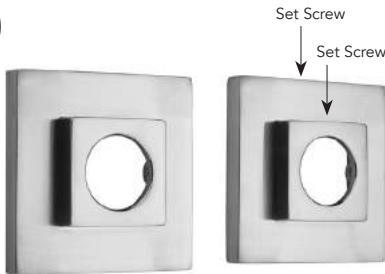


ITEM	CHROME	GROUP A	GROUP B	GROUP C
6603-	\$75.00	\$95.00	\$110.00	\$130.00

- Brass shower rod flanges
- Use with 1" O.D. brass shower rods
- Concealed mounting
- Complements Contempo bath styles
- Two set screws provides secure mounting of shower bars

PAIR OF BRASS SQUARE SHOWER CURTAIN ROD FLANGES

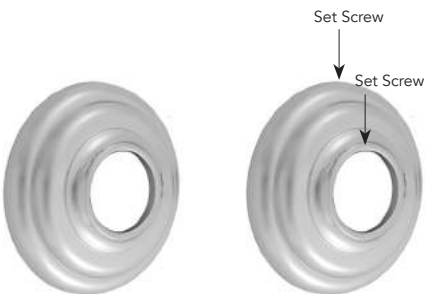
NEW
flanges



ITEM	CHROME	GROUP A	GROUP B	GROUP C
6703-	\$75.00	\$95.00	\$110.00	\$130.00

- Brass shower rod flanges
- Use with 1" O.D. brass shower rods
- Concealed mounting
- Complements CUBIX® bath styles
- Two set screws provides secure mounting of shower bars

PAIR OF BRASS DECORATIVE SHOWER CURTAIN ROD FLANGES



ITEM	CHROME	GROUP A	GROUP B	GROUP C
6203-	\$65.00	\$85.00	\$100.00	\$120.00

- Brass shower rod flanges
- Use with 1" O.D. brass shower rods
- Concealed mounting
- New improved design with two set screws provides secure mounting of shower bars
- Complements classic bath styles

TOILET TANK TRIP LEVERS TO FIT TOTO

TOILET TANK TRIP LEVER TO FIT TOTO

JACLO Decorative Design



ITEM	SPECIFICS	CHROME	GROUP A	GROUP B	GROUP C
905-	Side Mount	\$28.00	\$52.00	\$72.00	\$93.00

- Toilet tank "trip" lever to fit TOTO model: THU400
- Brass arm

Fits TOTO Models:
Entrada

TOILET TANK TRIP LEVER TO FIT TOTO

JACLO Decorative Design



ITEM	SPECIFICS	CHROME	GROUP A	GROUP B	GROUP C
9312	Side Mount	\$39.00	\$82.00	\$98.00	\$115.00

- Toilet tank "trip" lever to fit TOTO model: THU312
- Brass arm

Fits TOTO Models:
Legato

TOILET TANK TRIP LEVER TO FIT TOTO

JACLO Decorative Design



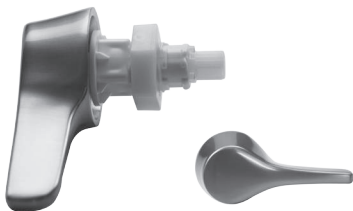
ITEM	SPECIFICS	CHROME	GROUP A	GROUP B	GROUP C
9313-	Side Mount	\$39.00	\$82.00	\$98.00	\$115.00

- Toilet tank "trip" lever to fit TOTO model: THU311
- Brass arm

Fits TOTO Models:
Aimes

TOILET TANK TRIP LEVER TO FIT TOTO

JACLO Decorative Design



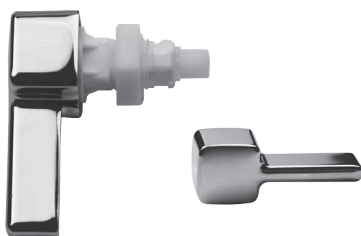
ITEM	SPECIFICS	CHROME	GROUP A	GROUP B	GROUP C
9390	Side Mount	\$33.00	\$75.00	\$110.00	\$136.00

- Toilet tank "trip" lever to fit TOTO model: THU390, THU485
- Brass arm

Fits TOTO Models:
Vespin II 1G, Drake II 1G

TOILET TANK TRIP LEVER TO FIT TOTO

JACLO Decorative Design



ITEM	SPECIFICS	CHROME	GROUP A	GROUP B	GROUP C
9391-	Side Mount	\$33.00	\$75.00	\$110.00	\$136.00

- Toilet tank "trip" lever to fit TOTO model: THU416
- Brass arm

Fits TOTO Models:
Connelly

TOILET TANK TRIP LEVERS TO FIT TOTO/ AMERICAN STANDARD



JACLO
Confidence from start to finish.™

TOILET TANK TRIP LEVER TO FIT TOTO

JACLO Decorative Design



ITEM	SPECIFICS	CHROME	GROUP A	GROUP B	GROUP C
9398-	Side Mount	\$52.00	\$105.00	\$121.00	\$154.00

- Toilet tank "trip" lever to fit TOTO model: THU398
- Brass arm & handle

**Fits TOTO Models:
Eco Drake Trans**

TOILET TANK TRIP LEVERS

TOILET TANK TRIP LEVER TO FIT AMERICAN STANDARD

JACLO Decorative Design



ITEM	SPECIFICS	CHROME	GROUP A	GROUP B	GROUP C
929-	Front Mount	\$52.00	\$79.00	\$95.00	\$115.00

- Toilet tank "trip" lever to fit American Standard model: 7381406-200
- Brass arm

**Fits American Standard Models:
Portsmouth Champion Pro, Retrospect Champion Pro**

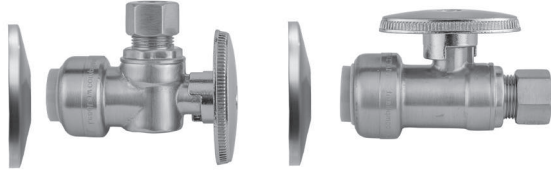
PUSH-FIT QUARTER TURN VALVES

1/2" PUSH-FIT X 3/8" O.D. COMPRESSION

*FOR USE WITH 1/2" COPPER, CPVC, OR PEX



PUSH-FIT VALVE ONLY WITH ESCUTCHEON



ANGLE VALVE

STRAIGHT VALVE

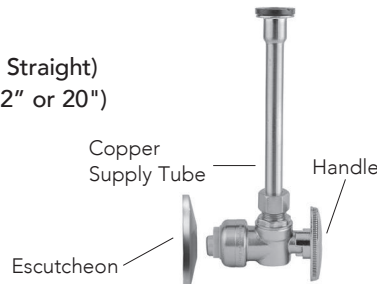
ITEM	VALVE STYLE	CHROME	SATIN NICKEL
638PF-KIT-	Angle	\$29.00	\$49.00
639PF-KIT-	Straight	\$29.00	\$49.00

- Kit contains Push-Fit valve (angle or straight), an escutcheon, and Push-Fit clip
- Fast & easy installation
- Quarter turn valve

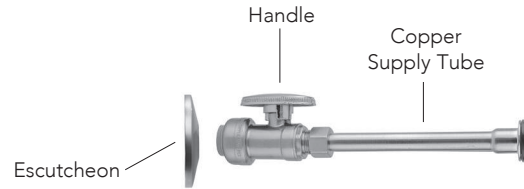
PUSH-FIT TOILET SUPPLY KITS WITH COPPER SUPPLY TUBE

Each Toilet Kit Contains:

- (1) Push-Fit Valve (Angle or Straight)
- (1) **Copper Supply Tube** (12" or 20")
- (1) Escutcheon
- (1) Push-Fit Clip



ANGLE VALVE



STRAIGHT VALVE

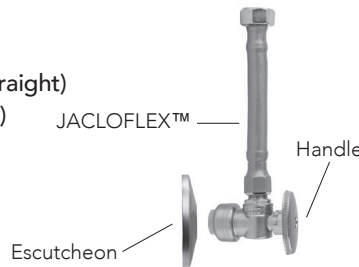


ITEM	SPECIFICS	VALVE STYLE	SUPPLY TUBE LENGTH	CHROME	SATIN NICKEL
638PF-71-	With Copper Supply	Angle	12"	\$47.00	\$73.00
638PF-72-	With Copper Supply	Angle	20"	\$51.00	\$78.00
639PF-71-	With Copper Supply	Straight	12"	\$47.00	\$73.00
639PF-72-	With Copper Supply	Straight	20"	\$51.00	\$78.00

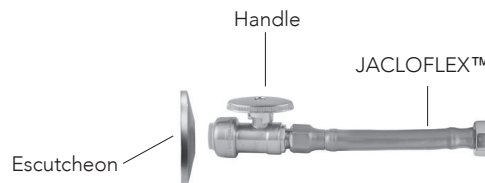
PUSH-FIT TOILET SUPPLY KITS WITH JACLOFLEX™ SUPPLY LINE

Each Toilet Kit Contains:

- (1) Push-Fit Valve (Angle or Straight)
- (1) **JACLOFLEX™** (12" or 20")
- (1) Escutcheon
- (1) Push-Fit Clip



ANGLE VALVE



STRAIGHT VALVE

ITEM	SPECIFICS	VALVE STYLE	SUPPLY TUBE LENGTH	CHROME	SATIN NICKEL
638PF-156MN-GREY-	With JACLOFLEX™	Angle	12"	\$58.00	\$78.00
638PF-157MN-GREY-	With JACLOFLEX™	Angle	20"	\$59.00	\$79.00
639PF-156MN-GREY-	With JACLOFLEX™	Straight	12"	\$58.00	\$78.00
639PF-157MN-GREY-	With JACLOFLEX™	Straight	20"	\$59.00	\$79.00

PUSH-FIT QUARTER TURN VALVES

1/2" PUSH-FIT X 3/8" O.D. COMPRESSION

*FOR USE WITH 1/2" COPPER, CPVC, OR PEX



PUSH-FIT VALVE ONLY WITH ESCUTCHEON



ANGLE VALVE

STRAIGHT VALVE

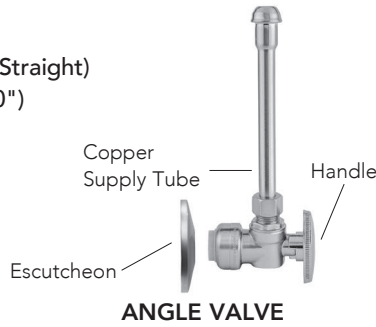
ITEM	VALVE STYLE	CHROME	SATIN NICKEL
638PF-KIT-	Angle	\$29.00	\$49.00
639PF-KIT-	Straight	\$29.00	\$49.00

- Kit contains Push-Fit valve (angle or straight), an escutcheon, and Push-Fit clip
- Fast & easy installation
- Quarter turn valve

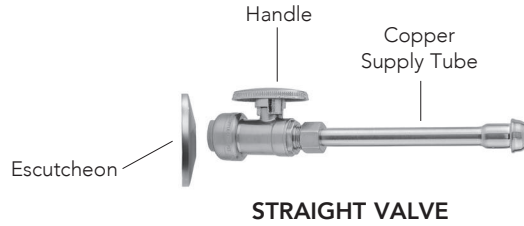
PUSH-FIT FAUCET SUPPLY KITS WITH COPPER SUPPLY TUBE

Each Faucet Kit Contains:

- (2) Push-Fit Valves (Angle or Straight)
- (2) **Copper Supply Tubes** (20")
- (2) Escutcheons
- (1) Push-Fit Clip



ANGLE VALVE



STRAIGHT VALVE

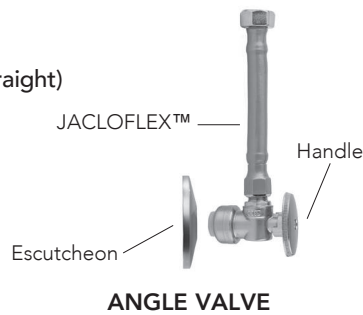


ITEM	SPECIFICS	VALVE STYLE	SUPPLY TUBE LENGTH	CHROME	SATIN NICKEL
638PF-62-	With Copper Supply	Angle	20"	\$102.00	\$156.00
639PF-62-	With Copper Supply	Straight	20"	\$102.00	\$156.00

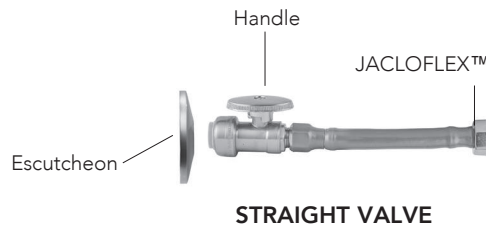
PUSH-FIT FAUCET SUPPLY KITS WITH JACLOFLEX™ SUPPLY LINE

Each Faucet Kit Contains:

- (2) Push-Fit Valves (Angle or Straight)
- (2) **JACLOFLEX™** (20")
- (2) Escutcheons
- (1) Push-Fit Clip



ANGLE VALVE



STRAIGHT VALVE

ITEM	SPECIFICS	VALVE STYLE	SUPPLY TUBE LENGTH	CHROME	SATIN NICKEL
638PF-136-GREY-	With JACLOFLEX™	Angle	20"	\$118.00	\$158.00
639PF-136-GREY-	With JACLOFLEX™	Straight	20"	\$118.00	\$158.00

SUPPLY VALVES & TUBES

BRASS TUB DRAINS & CONVERSION KITS

TOE-CONTROL DRAIN STRAINER

Forged brass cap



ITEM	SPECIFICS	CHROME	GROUP A	GROUP B	GROUP C
529-	1½" Coarse Thread Body	\$49.00	\$63.00	\$81.00	\$105.00

- Push down to open or close bath tub drain
- Forged brass cap (1¼" diameter)
- Brass body
- Spring loaded internal mechanism for easy use
- Fits Gerber, JACLO and most other manufacturers

TOE-CONTROL DRAIN STRAINER WITH FACEPLATE (SINGLE HOLE)

Forged brass cap



ITEM	SPECIFICS	CHROME	GROUP A	GROUP B	GROUP C
531-	1½" Coarse Thread Body	\$66.00	\$94.00	\$116.00	\$150.00

- Complete with brass single hole faceplate
- Complete with faceplate screw
- Forged brass cap (1¼" diameter)
- Brass body
- Spring loaded internal mechanism for easy use

TOE-CONTROL DRAIN STRAINER WITH FACEPLATE (TWO HOLE)

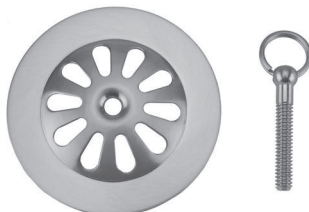
Forged brass cap



ITEM	SPECIFICS	CHROME	GROUP A	GROUP B	GROUP C
535-	1½" Coarse Thread Body	\$69.00	\$98.00	\$125.00	\$160.00

- Complete with brass two hole faceplate
- Complete with two faceplate screws
- Forged brass cap (1¼" diameter)
- Brass body
- Spring loaded internal mechanism for easy use
- Fits Gerber, JACLO and most other manufacturers

OLD STYLE TUB STRAINER



ITEM	SPECIFICS	CHROME	GROUP A	GROUP B	GROUP C
505-	Strainer with Bolt & Ring	\$35.00	\$48.00	\$59.00	\$90.00

- Old style replacement
- Use with four legged tubs
- Ring is for chain and rubber stopper

PVC TUB DRAIN HALF KITS WITH BRASS TRIMS

UNIVERSAL FIT



LIFT AND TURN DRAIN STRAINER WITH FACEPLATE (SINGLE HOLE) HALF KIT

NEW
kit



ITEM	SPECIFICS	CHROME	GROUP A	GROUP B	GROUP C
540-PVCHK-	1½" Coarse Thread Shoe	\$90.00	\$118.00	\$140.00	\$174.00

- Lift & turn drain half kit with brass single hole faceplate
- All half kits contain overflow elbow, drain shoe, tee, & trim kit
- PVC pipe not included

LIFT AND TURN DRAIN STRAINER WITH FACEPLATE (TWO HOLE) HALF KIT

NEW
kit



ITEM	SPECIFICS	CHROME	GROUP A	GROUP B	GROUP C
542-PVCHK-	1½" Coarse Thread Shoe	\$93.00	\$122.00	\$149.00	\$184.00

- Lift & turn drain half kit with brass two hole faceplate
- All half kits contain overflow elbow, drain shoe, tee, & trim kit
- PVC pipe not included

LIFT & TURN DRAIN STRAINER WITH ROUND NO HOLE FACEPLATE HALF KIT

NEW
kit



ITEM	SPECIFICS	CHROME	GROUP A	GROUP B	GROUP C
541-PVCHK-	1½" Coarse Thread Shoe	\$112.00	\$146.00	\$180.00	\$224.00

- Lift & turn drain half kit with brass round no hole faceplate
- All half kits contain overflow elbow, drain shoe, tee, & trim kit
- PVC pipe not included

TOE-CONTROL DRAIN STRAINER WITH FACEPLATE (SINGLE HOLE) HALF KIT

NEW
kit



ITEM	SPECIFICS	CHROME	GROUP A	GROUP B	GROUP C
531-PVCHK-	1½" Coarse Thread Shoe	\$90.00	\$118.00	\$140.00	\$174.00

- Toe control drain half kit with brass single hole faceplate
- Push down to open or close bath tub drain
- Spring loaded internal mechanism for easy use
- All half kits contain overflow elbow, drain shoe, tee, & trim kit
- PVC pipe not included

TUB DRAIN TRIM

PVC TUB DRAIN HALF KITS WITH BRASS TRIMS

UNIVERSAL FIT



TOE-CONTROL DRAIN STRAINER WITH FACEPLATE (TWO HOLE) HALF KIT



NEW
kit

ITEM	SPECIFICS	CHROME	GROUP A	GROUP B	GROUP C
535-PVCHK-	1 1/2" Coarse Thread Shoe	\$93.00	\$122.00	\$149.00	\$184.00

- Toe control drain half kit with brass two hole faceplate
- Push down to open or close bath tub drain
- Spring loaded internal mechanism for easy use
- All half kits contain overflow elbow, drain shoe, tee, & trim kit
- PVC pipe not included

TOE CONTROL DRAIN STRAINER WITH ROUND NO HOLE FACEPLATE HALF KIT

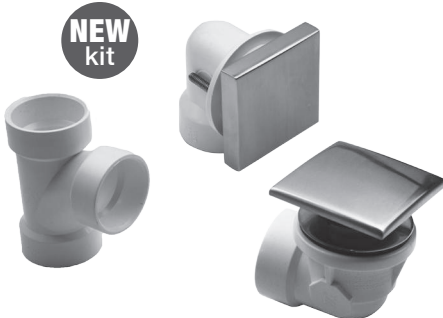


NEW
kit

ITEM	SPECIFICS	CHROME	GROUP A	GROUP B	GROUP C
537-PVCHK-	1 1/2" Coarse Thread Shoe	\$122.00	\$179.00	\$204.00	\$244.00

- Round top toe control drain half kit with brass round no hole faceplate
- Push down to open or close bath tub drain
- Spring loaded internal mechanism for easy use
- All half kits contain overflow elbow, drain shoe, tee, & trim kit
- PVC pipe not included

TOE CONTROL DRAIN STRAINER WITH SQUARE NO HOLE FACEPLATE HALF KIT



NEW
kit

ITEM	SPECIFICS	CHROME	GROUP A	GROUP B	GROUP C
539-PVCHK-	1 1/2" Coarse Thread Shoe	\$122.00	\$179.00	\$204.00	\$244.00

- Square top toe control drain half kit with brass square no hole faceplate
- Push down to open or close bath tub drain
- Spring loaded internal mechanism for easy use
- All half kits contain overflow elbow, drain shoe, tee, & trim kit
- PVC pipe not included

TOE-CONTROL DRAIN STRAINER WITH ROUND NO HOLE FACEPLATE HALF KIT



NEW
kit

ITEM	SPECIFICS	CHROME	GROUP A	GROUP B	GROUP C
543-PVCHK-	1 1/2" Coarse Thread Shoe	\$112.00	\$146.00	\$180.00	\$224.00

- Round top toe control drain half kit with brass round no hole faceplate
- Push down to open or close bath tub drain
- Spring loaded internal mechanism for easy use
- All half kits contain overflow elbow, drain shoe, tee, & trim kit
- PVC pipe not included

BRASS TUB DRAINS & CONVERSION KITS

EXTRA LONG THREADS FOR THICK TUBS (WITH & WITHOUT OVERFLOW)



EXTRA LONG THREAD TOE CONTROL DRAIN STRAINER



ITEM	SPECIFICS	CHROME	GROUP A	GROUP B	GROUP C
529-75-	3" Long 1½" Coarse thread	\$100.00	\$125.00	\$140.00	\$165.00
529-100-	4" Long 1½" Coarse thread	\$115.00	\$145.00	\$170.00	\$185.00
529-125-	5" Long 1½" Coarse thread	\$135.00	\$165.00	\$190.00	\$205.00

- Available in 3", 4" and 5" long threads for thick tubs
- Forged brass cap (1¼" diameter)
- Brass body
- Fits JACLO, Gerber and most other manufacturers

EXTRA LONG THREAD TOE CONTROL DRAIN STRAINER WITH OVERFLOW



ITEM	SPECIFICS	CHROME	GROUP A	GROUP B	GROUP C
533-75-	3" Long 1½" Coarse thread	\$125.00	\$150.00	\$175.00	\$210.00
533-100-	4" Long 1½" Coarse thread	\$140.00	\$165.00	\$190.00	\$225.00
533-125-	5" Long 1½" Coarse thread	\$165.00	\$190.00	\$225.00	\$260.00

- Available in 3", 4" and 5" long threads for thick tubs
- Forged brass cap (1¼" diameter)
- Brass body
- Fits JACLO, Gerber and most other manufacturers
- **Use for thick tubs requiring drain with overflow**

EXTRA LONG THREAD TOE CONTROL DRAIN STRAINER WITH FACEPLATE (SINGLE HOLE)



ITEM	SPECIFICS	CHROME	GROUP A	GROUP B	GROUP C
531-75-	3" Long 1½" Coarse thread	\$130.00	\$156.00	\$175.00	\$210.00
531-100-	4" Long 1½" Coarse thread	\$140.00	\$176.00	\$205.00	\$230.00
531-125-	5" Long 1½" Coarse thread	\$160.00	\$204.00	\$244.00	\$250.00

- Available in 3", 4" and 5" long threads for thick tubs
- Complete with brass single hole faceplate
- Brass body
- Forged brass cap (1¼" diameter)
- Fits JACLO, Gerber and most other manufacturers

EXTRA LONG THREAD TOE CONTROL DRAIN STRAINER WITH FACEPLATE (TWO HOLE)



ITEM	SPECIFICS	CHROME	GROUP A	GROUP B	GROUP C
535-75-	3" Long 1½" Coarse thread	\$130.00	\$160.00	\$184.00	\$220.00
535-100-	4" Long 1½" Coarse thread	\$145.00	\$180.00	\$214.00	\$240.00
535-125-	5" Long 1½" Coarse thread	\$165.00	\$200.00	\$234.00	\$260.00

- Available in 3", 4" and 5" long threads for thick tubs
- Complete with brass two hole faceplate
- Brass body
- Forged brass cap (1¼" diameter)
- Fits JACLO, Gerber and most other manufacturers

TUB DRAIN TRIM

SHOWER CHANNEL DRAINS

6" X 6" WAVE SHOWER CHANNEL GRATE

NEW
drain



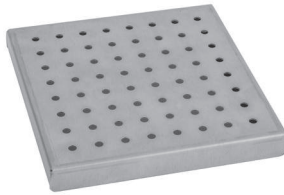
ITEM	NOMINAL SIZE	BSS	PSS
6205-6-	6" x 6"	\$55.00	\$80.00

- 304 stainless steel construction
- Key included to remove grate for easy cleaning
- For use with 84266 channel body



6" X 6" DOTTED SHOWER CHANNEL GRATE

NEW
drain



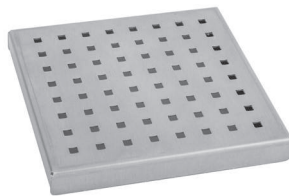
ITEM	NOMINAL SIZE	BSS	PSS
6201-6-	6" x 6"	\$55.00	\$80.00

- 304 stainless steel construction
- Key included to remove grate for easy cleaning
- For use with 84266 channel body



6" X 6" SQUARE SHOWER CHANNEL GRATE

NEW
drain



ITEM	NOMINAL SIZE	BSS	PSS
6202-6-	6" x 6"	\$55.00	\$80.00

- 304 stainless steel construction
- Key included to remove grate for easy cleaning
- For use with 84266 channel body



6" X 6" LINE SHOWER CHANNEL GRATE

NEW
drain



ITEM	NOMINAL SIZE	BSS	PSS
6207-6-	6" x 6"	\$55.00	\$80.00

- 304 stainless steel construction
- Key included to remove grate for easy cleaning
- For use with 84266 channel body



6" X 6" BAR SHOWER CHANNEL GRATE

NEW
drain



ITEM	NOMINAL SIZE	BSS	PSS
6209-6-	6" x 6"	\$150.00	\$185.00

- 304 stainless steel construction
- Key included to remove grate for easy cleaning
- For use with 84266 channel body



NON-STOCK FINISHES AVAILABLE ON SPECIFIC SIZES. CALL FOR PRICING & DELIVERY.

Black Nickel: BKN, Bronze UMBER: BU, Europa Bronze: EB, Jewelers Gold: JG, Matte Black: MBK, Oil-Rubbed Bronze: ORB, Polished Brass: PB, Polished Gold: PG, Satin Brass: SB, Sedona Beige: SDB, Satin Gold: SG, Tristan Brass: TB, White: WH

REPLACEMENT PARTS

PRESS CAP FOR 7524 WALLBAR



ITEM	CHROME	GROUP A	GROUP B	GROUP C
7524-CAP-	\$9.00	\$15.00	\$25.00	\$35.00

- Replacement end post cap for JACLO wall bar models: 7724, 7424, 7924, 7824, 7624, 7324, 7224, 7124

PRESS CAP FOR GRAB BARS



ITEM	CHROME	GROUP A	GROUP B	GROUP C
4844-	\$9.00	\$15.00	\$25.00	\$35.00

- Grab bar replacement press cap

SLIDER FOR 3524 WALLBAR



ITEM	CHROME	GROUP A	GROUP B	GROUP C
3524-SLIDER-	\$55.00	\$70.00	\$80.00	\$95.00

- Replacement handshower slider for 3524 wall bar
- NOT AVAILABLE IN BG, EB, JG, SDB, TB, ULB, WH

SLIDER FOR 5228 WALLBAR



ITEM	CHROME	GROUP A	GROUP B	GROUP C
5228-SLIDER-	\$55.00	\$70.00	\$80.00	\$95.00

- Replacement handshower slider for 5228 & 6528 wall bars
- NOT AVAILABLE IN BG, EB, JG, SDB, TB, ULB, WH

SLIDER FOR 8524 WALLBAR



ITEM	CHROME	GROUP A	GROUP B	GROUP C
8524-SLIDER-	\$240.00	\$295.00	\$325.00	\$350.00

- Replacement handshower slider for 8524, 8628 & 8636 wall bars

SOAP DISPENSER PUMP



ITEM	SPECIFICS	ROUGH
SD-PUMP-RGH	Replacement pump deck for 1205/1206	\$25.00
SL-PUMP-RGH	Replacement pump for LD-10/LD-15	\$25.00

- Replacement pumps for JACLO, Barand & Concinnity deck mount & counter top soap & lotion dispensers



REPLACEMENT PARTS

REPLACEMENT STOPPER FOR 736/739 LAVATORY DRAIN



ITEM	SPECIFICS	CHROME	GROUP A	GROUP B	GROUP C
736-STP-	Replacement stopper	\$10.00	\$20.00	\$35.00	\$55.00

- Replacement stopper for 736/739 lavatory drain
- Adjustable height

REPLACEMENT STOPPER FOR 836/839 LAVATORY DRAIN



ITEM	SPECIFICS	CHROME	GROUP A	GROUP B	GROUP C
836-STP-	Replacement stopper	\$20.00	\$35.00	\$65.00	\$75.00

- Replacement stopper for 836/839 lavatory drain
- Adjustable height

REPLACEMENT TOP & GASKET FOR 812/814/818/819 LAVATORY DRAIN



ITEM	SPECIFICS	CHROME	GROUP A	GROUP B	GROUP C
812-TOP-	Replacement top & gasket	\$10.00	\$20.00	\$30.00	\$45.00

- Replacement top and gasket for 812, 814, 818, and 819 lavatory drain

REPLACEMENT MECHANISM ONLY FOR ALL "FINGER TOUCH" LAVATORY DRAINS



ITEM	SPECIFICS	ROUGH
SPRING MECHANISM	Replacement mechanism only	\$15.00

- Replacement mechanism only for all "finger touch" lavatory drains

REPLACEMENT CLICKER MECHANISM FOR 529/530/532 TOE CONTROL TUB DRAINS



ITEM	SPECIFICS	ROUGH
529-MECHANISM-RGH	Replacement clicker mechanism	\$15.00

- Replacement clicker mechanism for 529, 530, and 532 toe control tub drains

REPLACEMENT GASKET FOR 529/530/532 TOE CONTROL TUB DRAINS



ITEM	SPECIFICS	ROUGH
529-GASKET-RGH	Replacement gasket	\$4.00

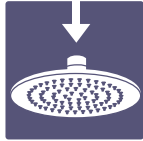
- Replacement gasket for 529, 530, and 532 toe control tub drains

PCW FLOW WASHER

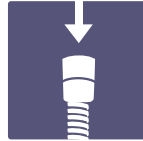
FLOW REGULATOR-PRESSURE COMPENSATING



This side up for showerhead



This side up for handshower hose



ITEM	SPECIFICS	LIST
1.5FRPCW	GREEN - 1.5 GPM	\$5.00
1.75FRPCW	LIGHT BLUE - 1.75 GPM	\$5.00
2.0FRPCW	LILAC - 2.0 GPM	\$5.00
2.5FRPCW	GRAY - 2.5 GPM	\$5.00

- Operates as a flexible orifice to provide reliable flow regulation from 15-150 psi
- Fits directly into any 1/2" threads
- Fits within hose fitting and shower handle or showerhead ball joint providing both flow control and seal

